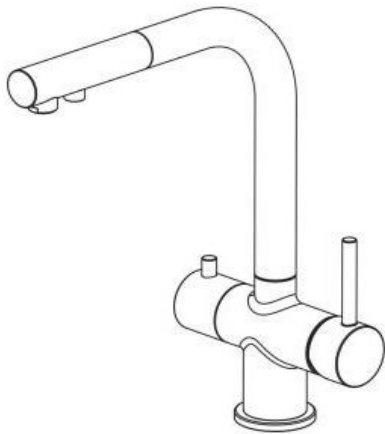


INSTRUCTIONS FOR THE ASSEMBLY OF THE PALENCIA 3-WAY PULL-OUT KITCHEN FILTER TAP



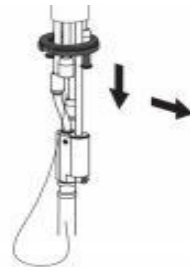
1) Pre-Installation Notes

Before installing the tap, make sure that the pipes are connected correctly supplying hot & cold water.

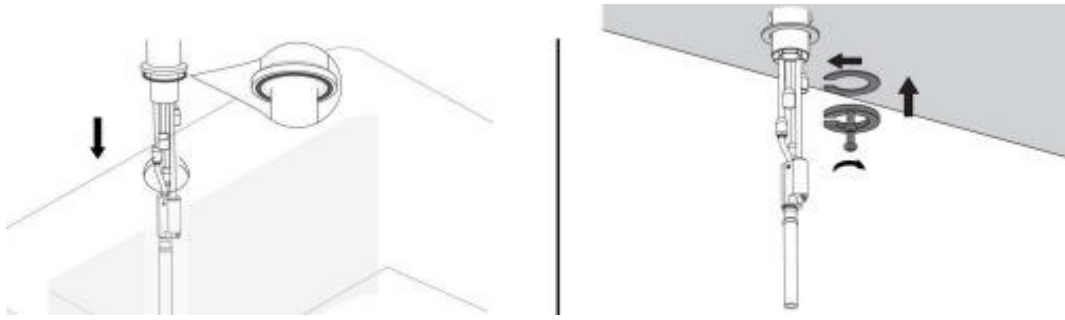
If you are in front of the faucet, the filtered water outlet (shorter lever) is on the left and the hot/cold lever is on the right.

Make sure the water supply system is equipped with strainers to ensure that no dirt, such as sand, rust, limescale or other has entered the tap head.

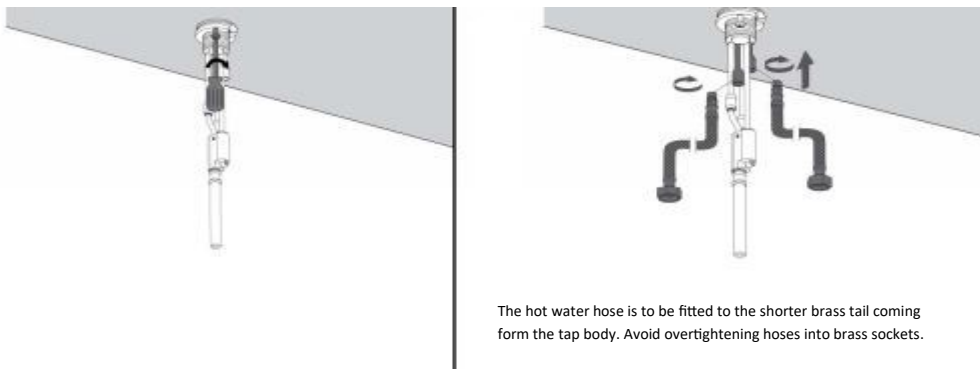
Make sure there is a 35mm hole in the worktop or sink.



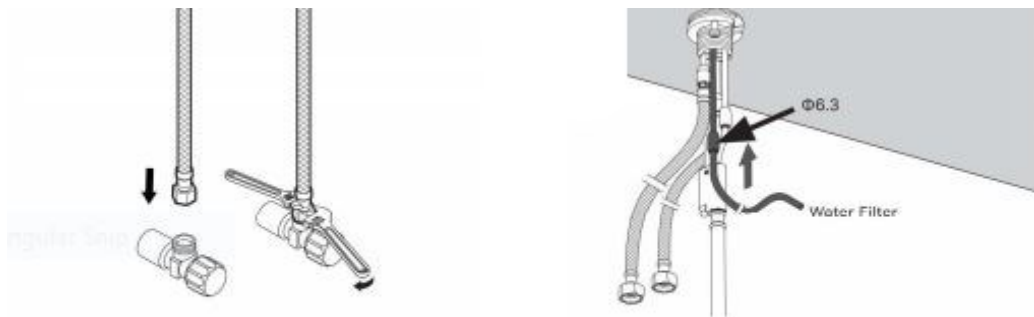
2) Flush the plumbing and close the isolation valves. Remove the mount from the thread of the tap mount.



Insert the O-ring into the ring of the tap body. Insert the faucet body with the gasket into the opening in the countertop or sink.



From the bottom, put a rubber and metal washer on the thread of the tap and screw on the clamp nut. Screw the body connection hoses onto the water supply valves.



Open the isolation valves. Connect the hose from the water filter system to the tap using push-fit coupling. This is designed for 1/4" tubing.



Open the hose weight as shown in the image above and fit over the hose and clip together. Ensure that the hose and weight can run freely without fouling any pipework and does not put undue strain on the hose connections.

After connecting all the hoses, open the water to test, making sure the connections are tight.

Before using the tap for the first time, unscrew the pull-out spout and rinse the tap. After flushing, screw the spout tip back into place.

Maintenance

The customer is obliged to regularly unscrew and clean the aerator (mixing nozzle) of scale, rust and other foreign bodies. If the aerator is heavily soiled, replace it with new.

Water working pressure: up to 6 bar —use a pressure reducer for higher pressure.

Water temperature: 4 degrees C—90 degrees C) optimum working temperature up to 65 degrees C).

PLEASE NOTE— These instructions are for information only and the tap must be installed by a qualified person.