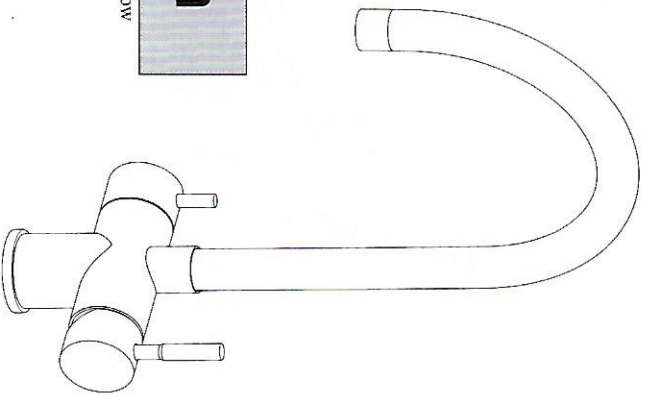


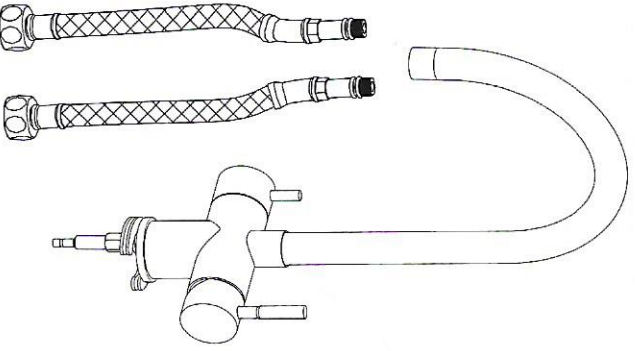
# Installation Instruction

## Three Flow Kitchen Faucet

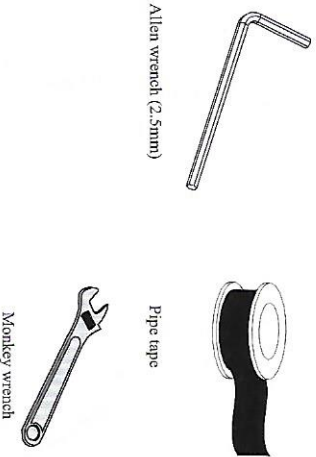


### Before your installation

Please check to make sure you have the following parts indicated below

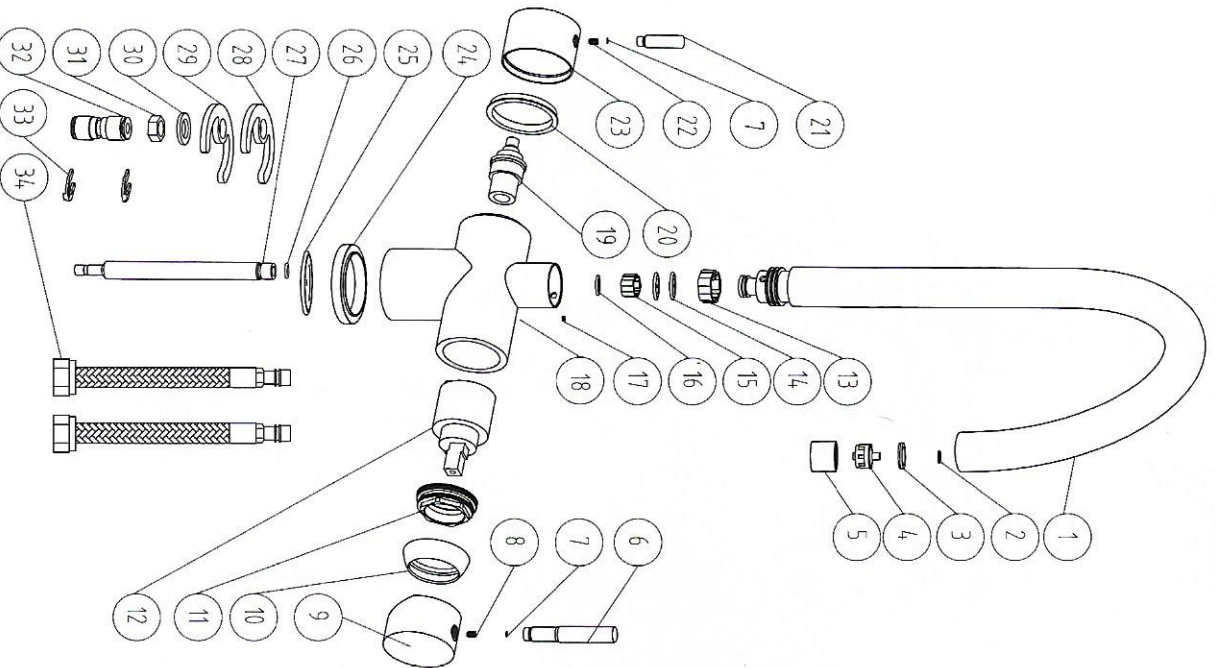


### Tools you will need



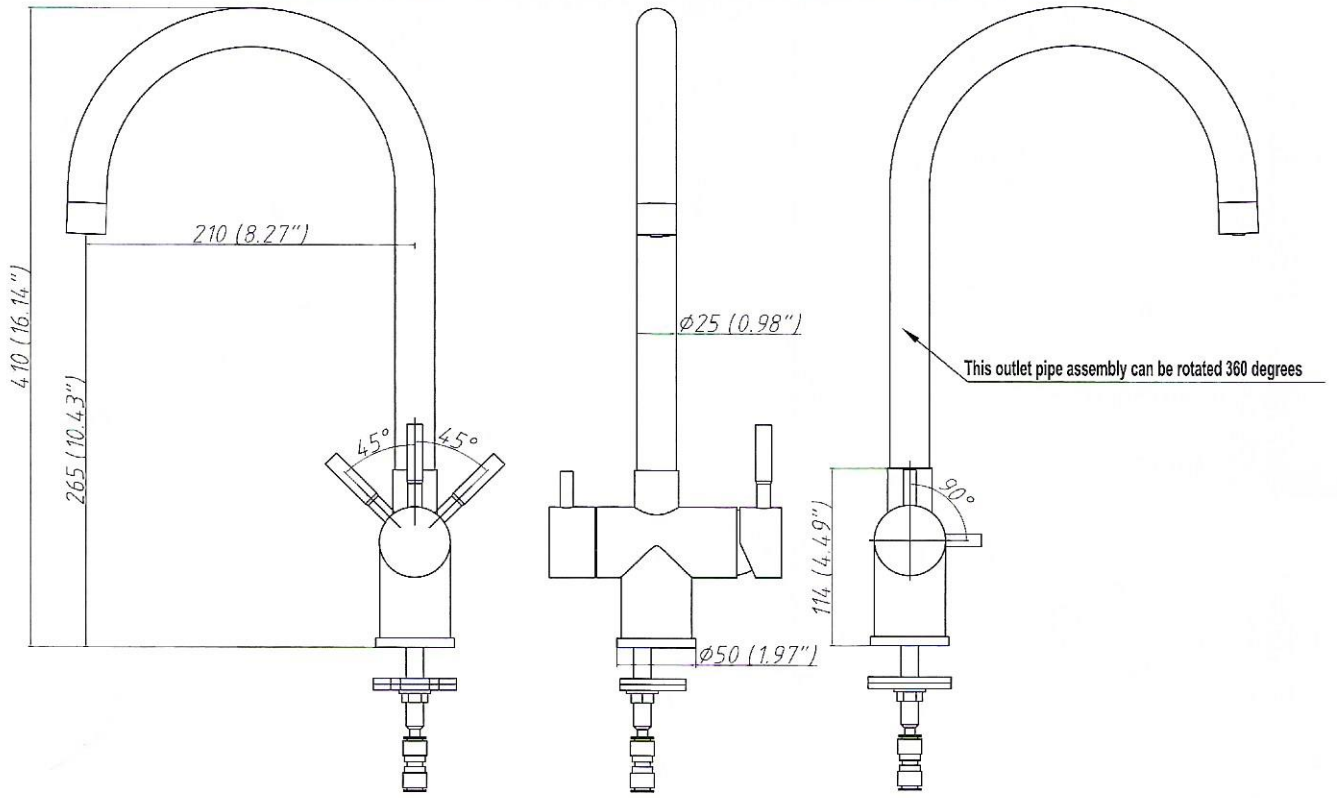
# Replacement parts

Keep this manual for ordering replacement parts

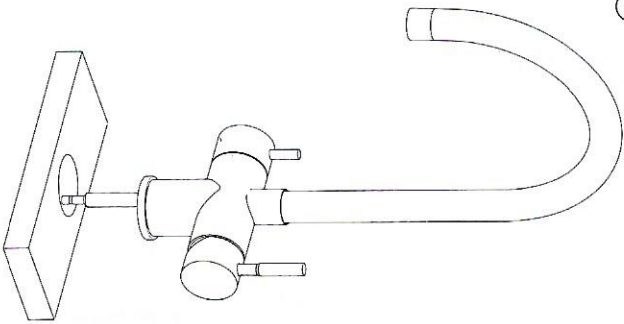
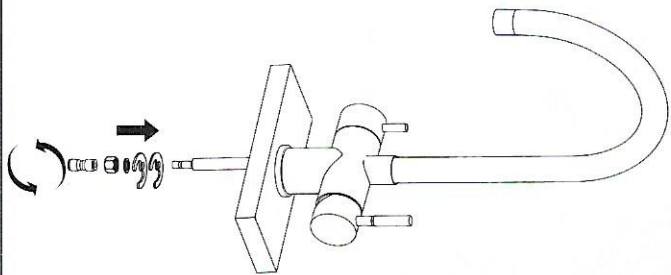
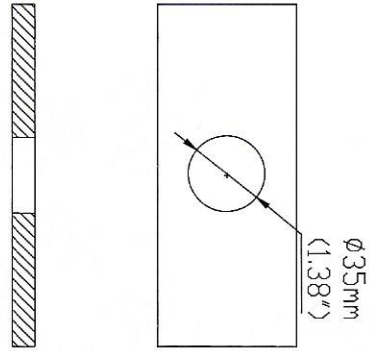
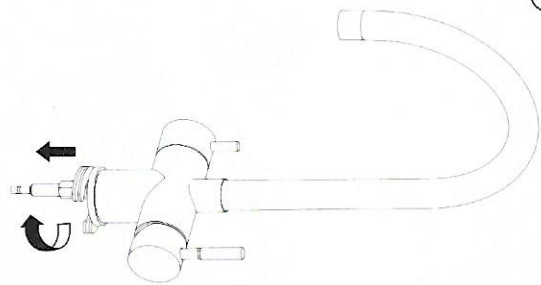


NO.	NAME
1	Spout gasket
2	gasket
3	Washer
4	Aerator
5	Aerator holder
6	Handle lever
7	O-Ring
8	Allen screw
9	Handle body
10	Semicircular cover
11	Cartridge holder
12	Cartridge
13	Spout gasket
14	O-Ring
15	Spout gasket
16	O-Ring
17	Screw
18	Faucet body
19	Quick operating valve
20	Gaskets
21	Handle lever
22	Screw
23	Handle body
24	Plinth
25	O-Ring
26	O-Ring
27	Screw Rod
28	Gaskets
29	Gaskets
30	Serrated gasket
31	Nut
32	Plastic fast joint
33	Looking Plate
34	Braided pipe

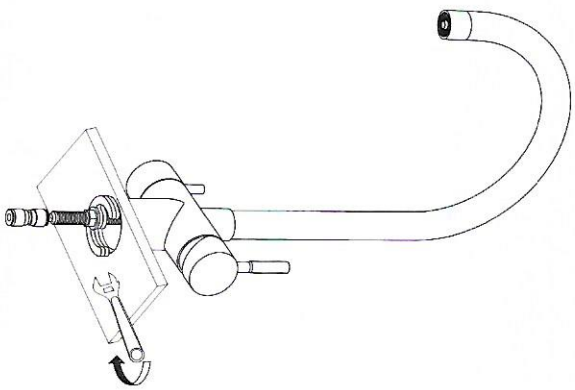
# Product Dimension Drawing



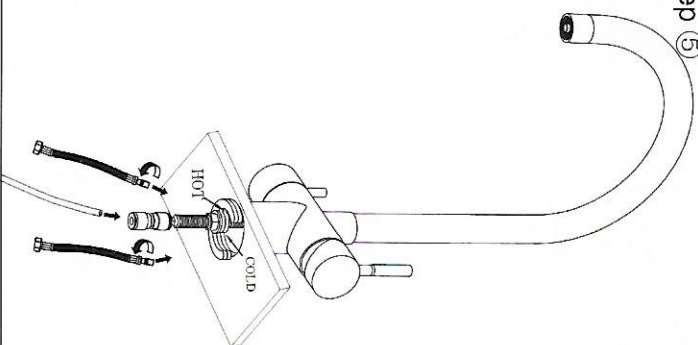
## Faucet Installation Procedures



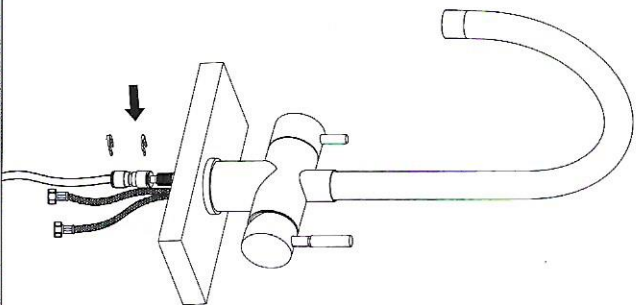
Step ④



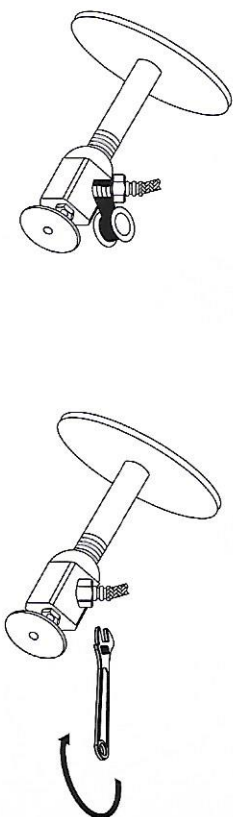
Step ⑤



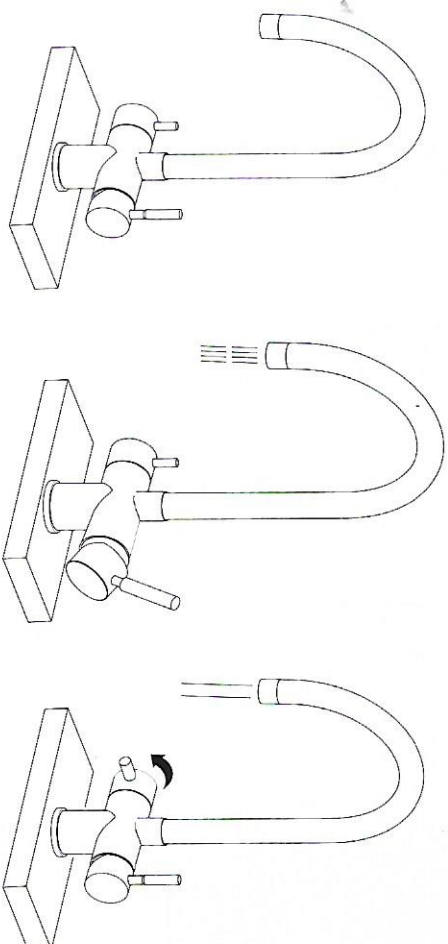
Step ⑥



Step ⑦



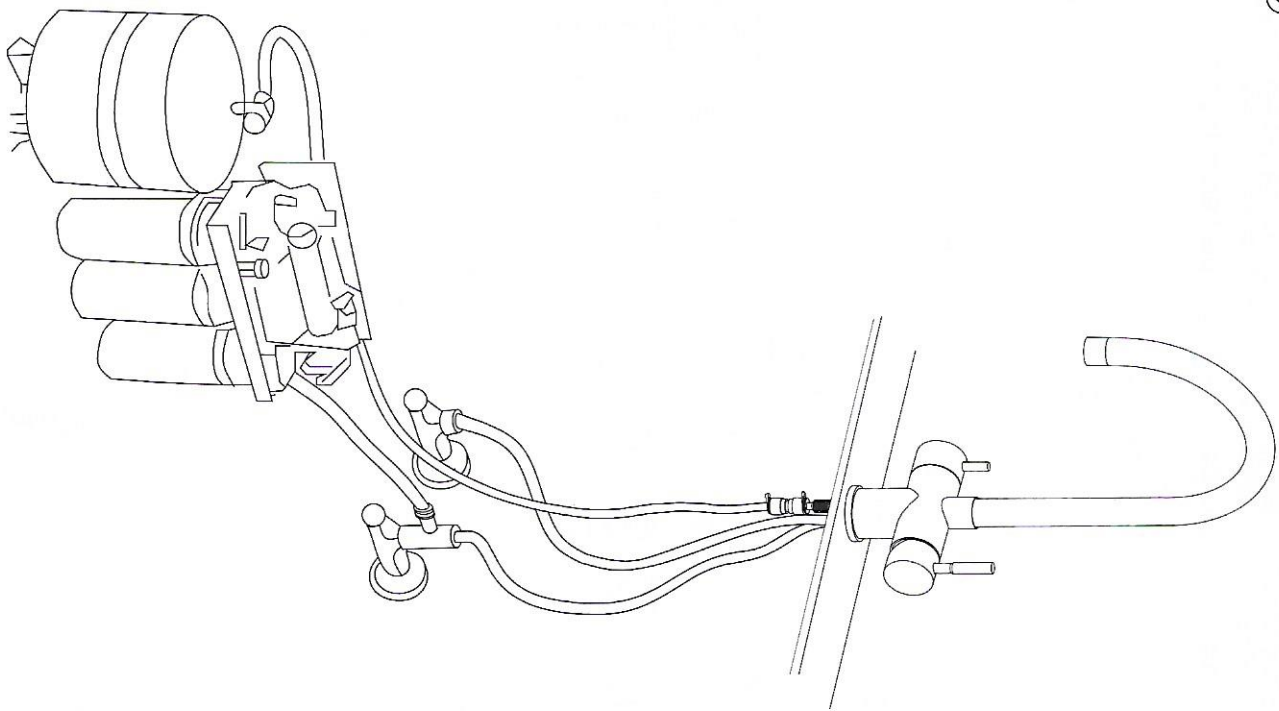
Step ⑧



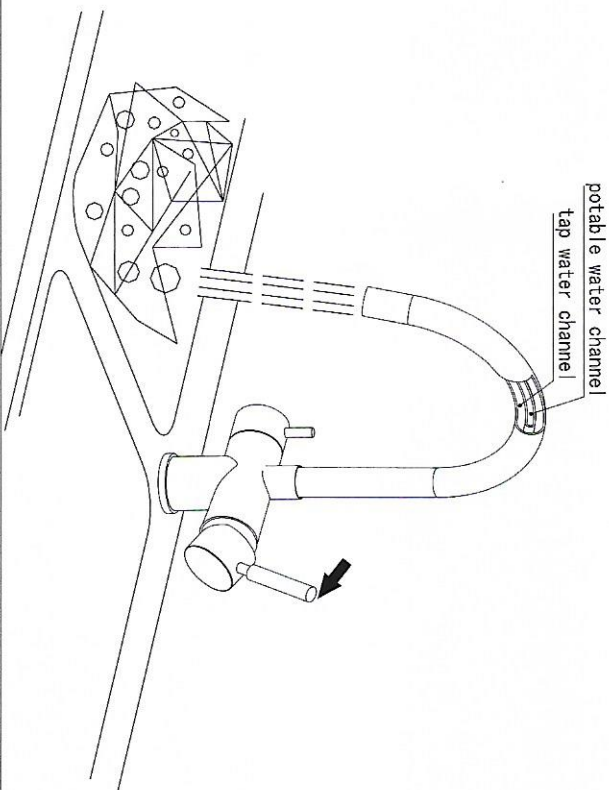
**Notice:**

Please removing all of the sand, silt and other things from the water hose before assembling to avoid blocking the faucet and effecting water rate. Please use the special tools to disassemble it and wash with pneumatic equipment, if the faucet blocked.

Step 9



Step 10



Step 11

