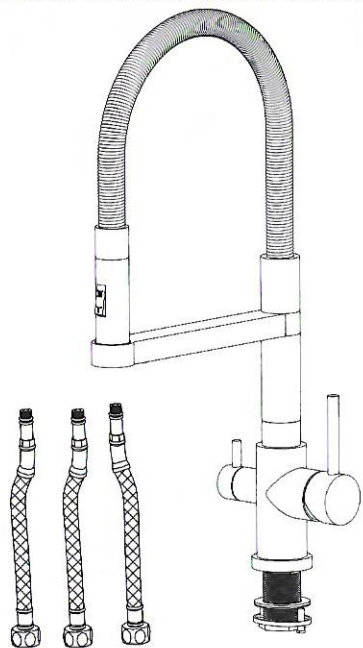
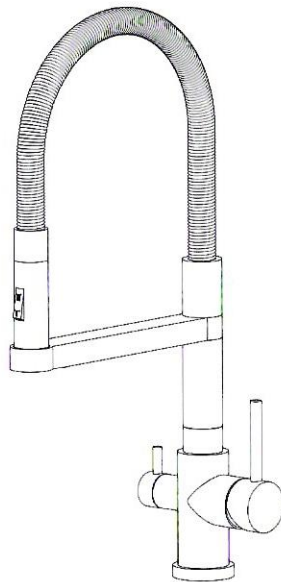


Installation Instruction

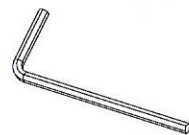
Three Flow Kitchen Faucet

Before your installation

please check to make sure you have the following parts indicated below



Tools you will need



Allen wrench (2.5mm)



Pipe tape



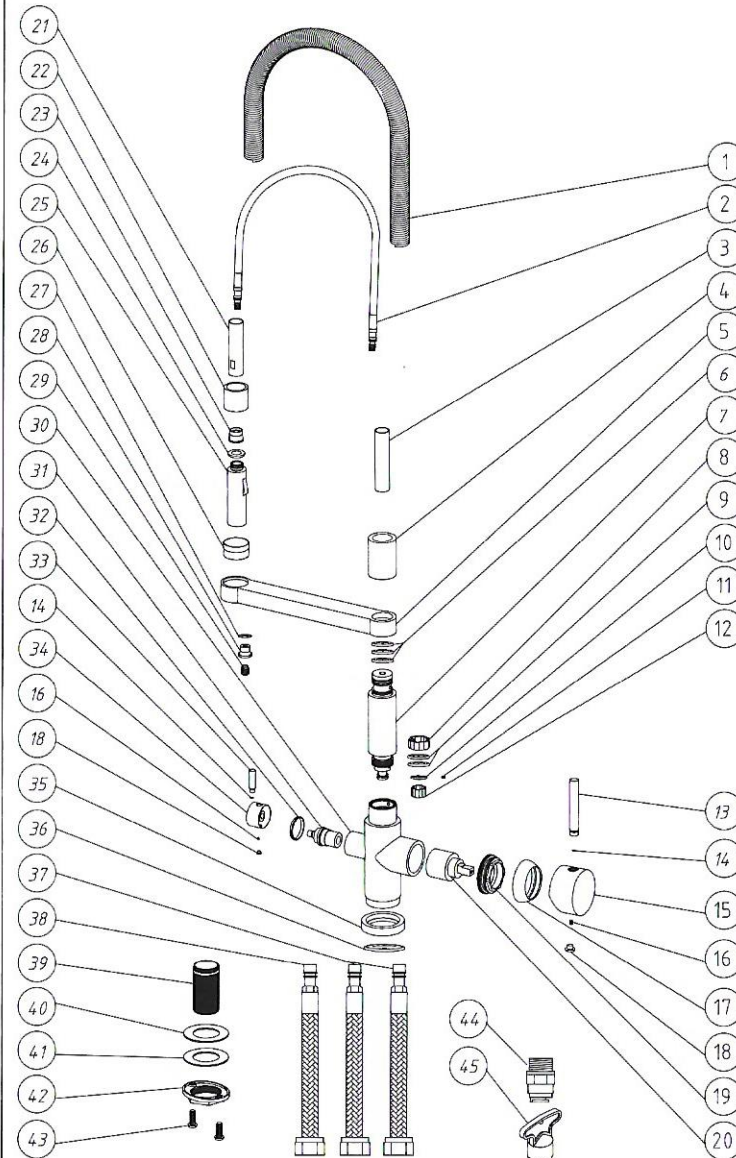
Screwdriver



Monkey wrench

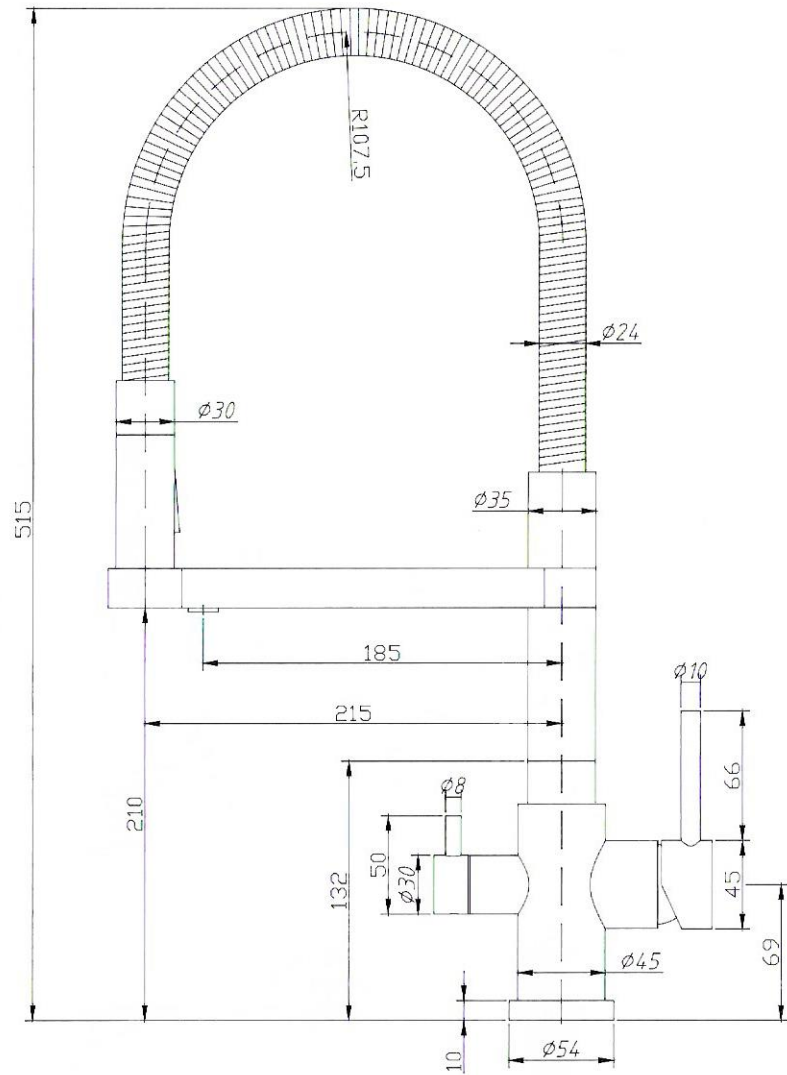
Replacement parts

Keep this manual for ordering replacement parts



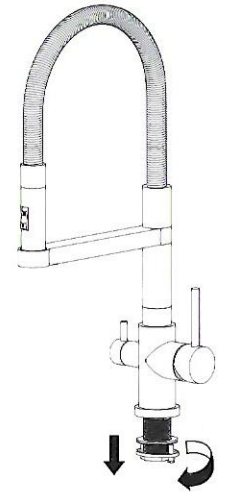
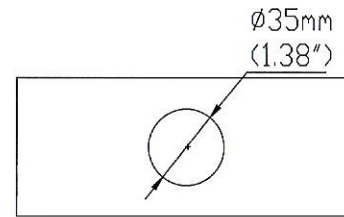
- 1 Spring
- 2 Braided pipe
- 3 Support Sleeve
- 4 Lock Trim
- 5 Cross bar
- 6 O-ring
- 7 Outlet Pipe
- 8 Friction ring
- 9 O-ring
- 10 O-ring
- 11 Screw
- 12 Friction ring
- 13 Handle Lever
- 14 O-ring
- 15 Handle body
- 16 Screw
- 17 Decorative cover
- 18 Rubber Plug
- 19 Cartridge holder
- 20 Cartridge
- 21 Support Sleeve
- 22 Joint
- 23 Joint
- 24 Washer
- 25 Two-stage head
- 26 Friction ring
- 27 O-ring
- 28 Aerator holder
- 29 Aerator
- 30 Body
- 31 Cartridge
- 32 Friction ring
- 33 Handle Lever
- 34 Handle body
- 35 Plinth
- 36 O-ring
- 37 Braided pipe
- 38 Braided pipe
- 39 Screw Tube
- 40 Rubber gasket
- 41 Stainless Steel gasket
- 42 Pressure Plate
- 43 M5x20 Screw
- 44 Joint
- 45 Aerator Spanner

Product Dimension Drawing

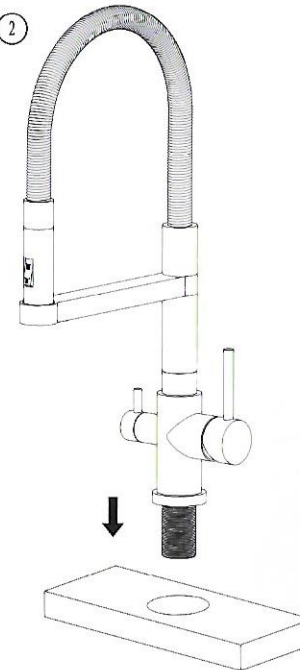


Faucet Installation Procedures

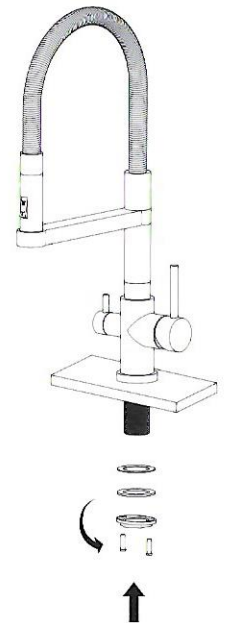
Step ①



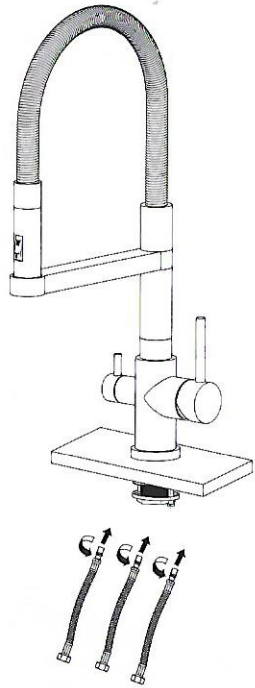
Step ②



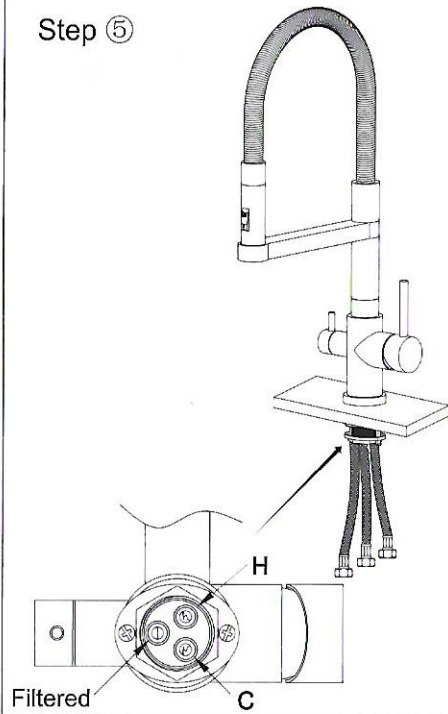
Step ③



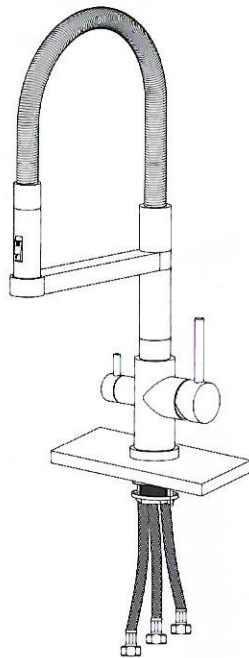
Step ④



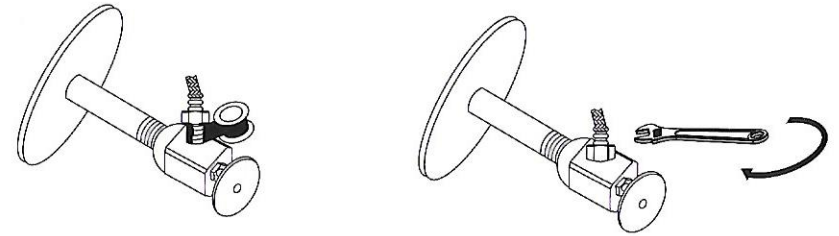
Step ⑤



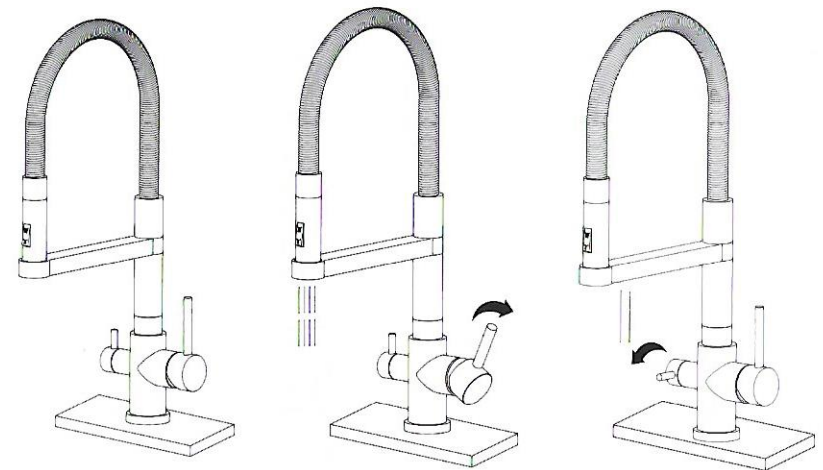
Step ⑥



Step ⑦



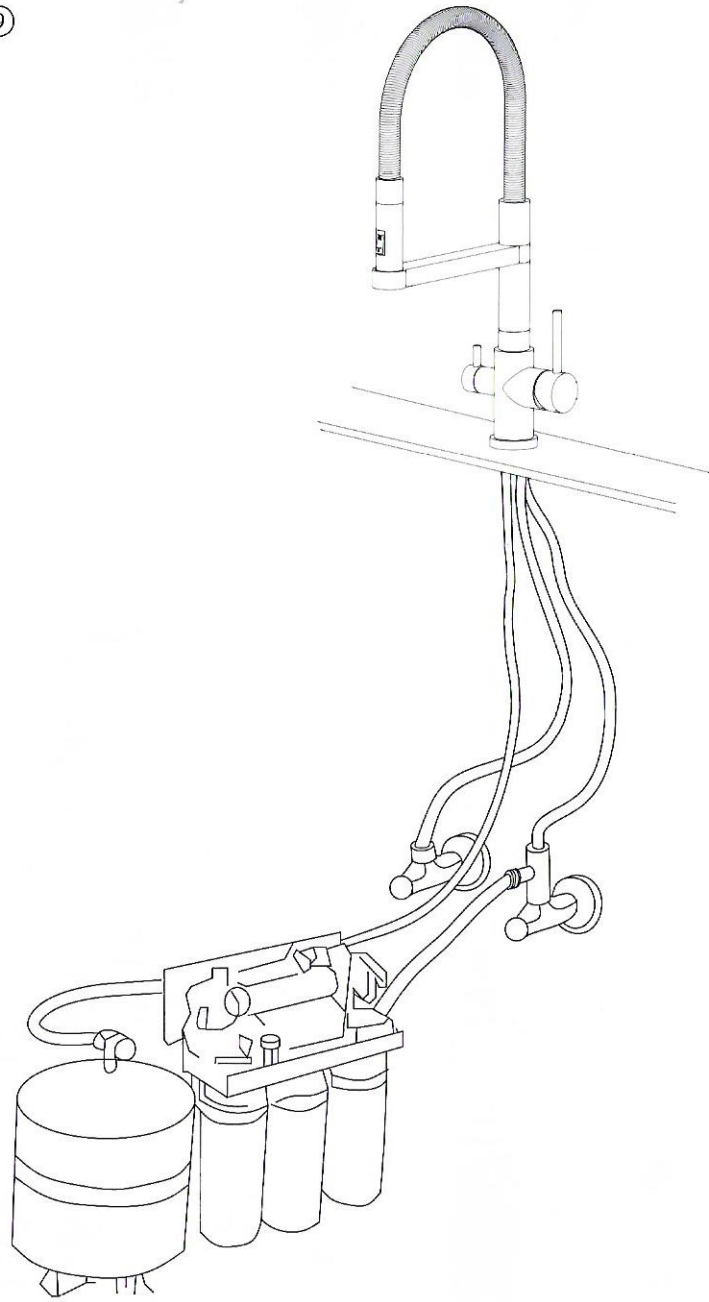
Step ⑧



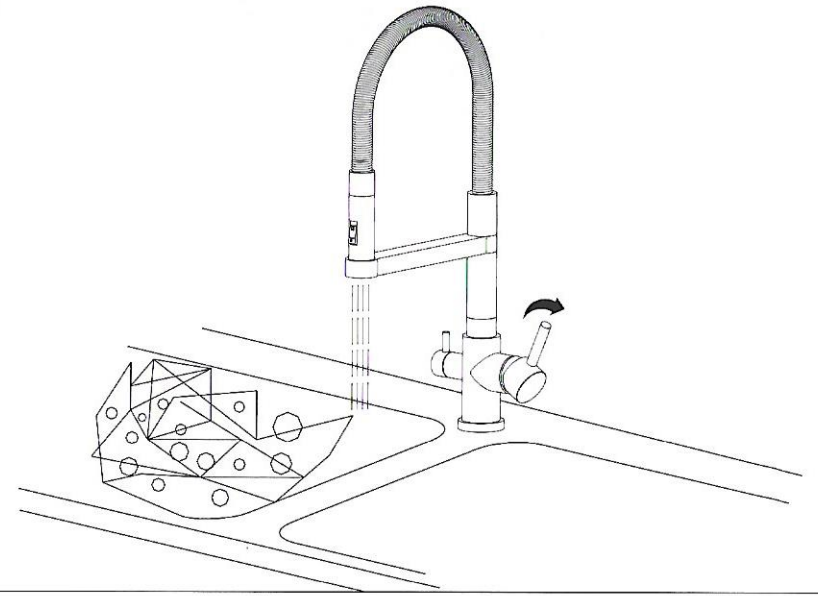
Notice:

Please removing all of the sand,silt and other things from the water hose before assembling,to avoid blocking the faucet and effecting water rate. Please use the special tools to disassemble it and wash with pneumatic equipment,ifthe faucet blocked.

Step ⑨



Step ⑩



Step ⑪

